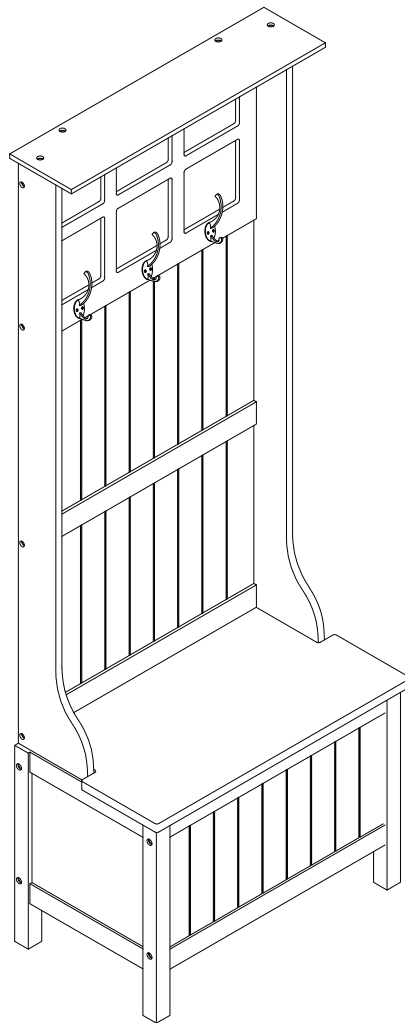
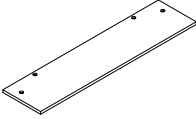
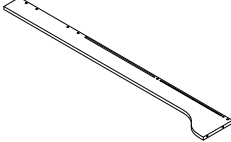
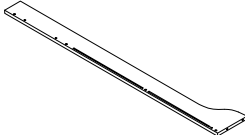
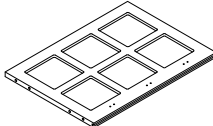
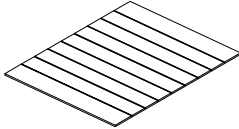
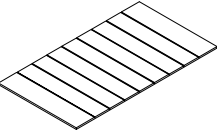
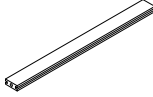
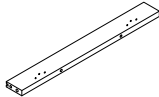
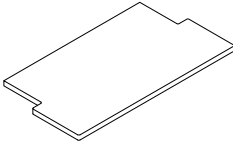
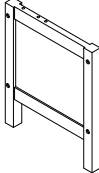
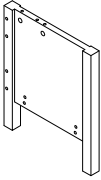
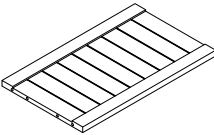
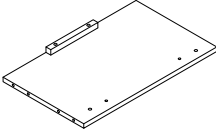
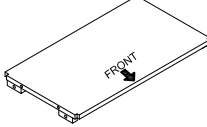









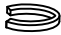

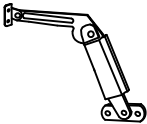

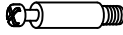




Hall Tree  
CF6035-WH



# PART LIST

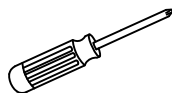
<p><b>A</b></p> 	<p><b>B</b></p> 	<p><b>C</b></p> 	<p><b>D</b></p> 	<p><b>E</b></p> 
<p>Top Panel 1 PC</p>	<p>Upper Left Panel 1 PC</p>	<p>Upper Right Panel 1 PC</p>	<p>Upper Back Panel 1 PC</p>	<p>Middle Back Panel 1 PC</p>
<p><b>F</b></p> 	<p><b>G</b></p> 	<p><b>H</b></p> 	<p><b>I</b></p> 	<p><b>J</b></p> 
<p>Lower Back Panel 1 PC</p>	<p>Middle Back Rail 1 PC</p>	<p>Lower Back Rail 1 PC</p>	<p>Seat Panel 1 PC</p>	<p>Lower Left Panel 1 PC</p>
<p><b>K</b></p> 	<p><b>L</b></p> 	<p><b>M</b></p> 	<p><b>N</b></p> 	
<p>Lower Right Panel 1 PC</p>	<p>Front Panel 1 PC</p>	<p>Back Panel 1 PC</p>	<p>Bottom Panel 1 PC</p>	

# HARDWARE LIST

 $\phi 1/4" \times 1-1/4"$ Short Bolt 17 PCS (Extra 1)	 $\phi 1/4" \times 1-3/4"$ Long Bolt 9 PCS (Extra 1)	 $\phi 3 \times 14$ mm Screw 13 PCS (Extra 1)	 $\phi 3 \times 14$ mm Round Head Screw 4 PCS	 Allen Wrench 1 PC
 $\phi 1/4"$ Spring Washer 4 PCS	 $\phi 1/4" \times 16$ mm Flat Washer 4 PCS	 Spring Hinge 1 PC	 $\phi 8 \times 30$ mm Wood Dowel 24 PCS	 Cam Bolts 11 PCS (Extra 1)
 Cam Lock 11 PCS (Extra 1)	 Hook 3 PCS	 Pad 2 PCS	 Safety Strap Kit 1 SET	

## ADDITIONAL TOOLS (Not Provided)

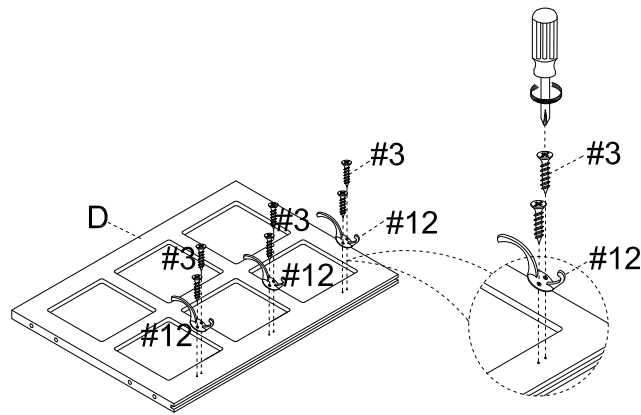
Note: It is not recommended to use power tools during assembly.





Phillips Head Screwdriver

Note: Wood dowels are intended for alignment. Additional clearance between wood dowel and pre-drilled hole is intentional for ease of assembly.

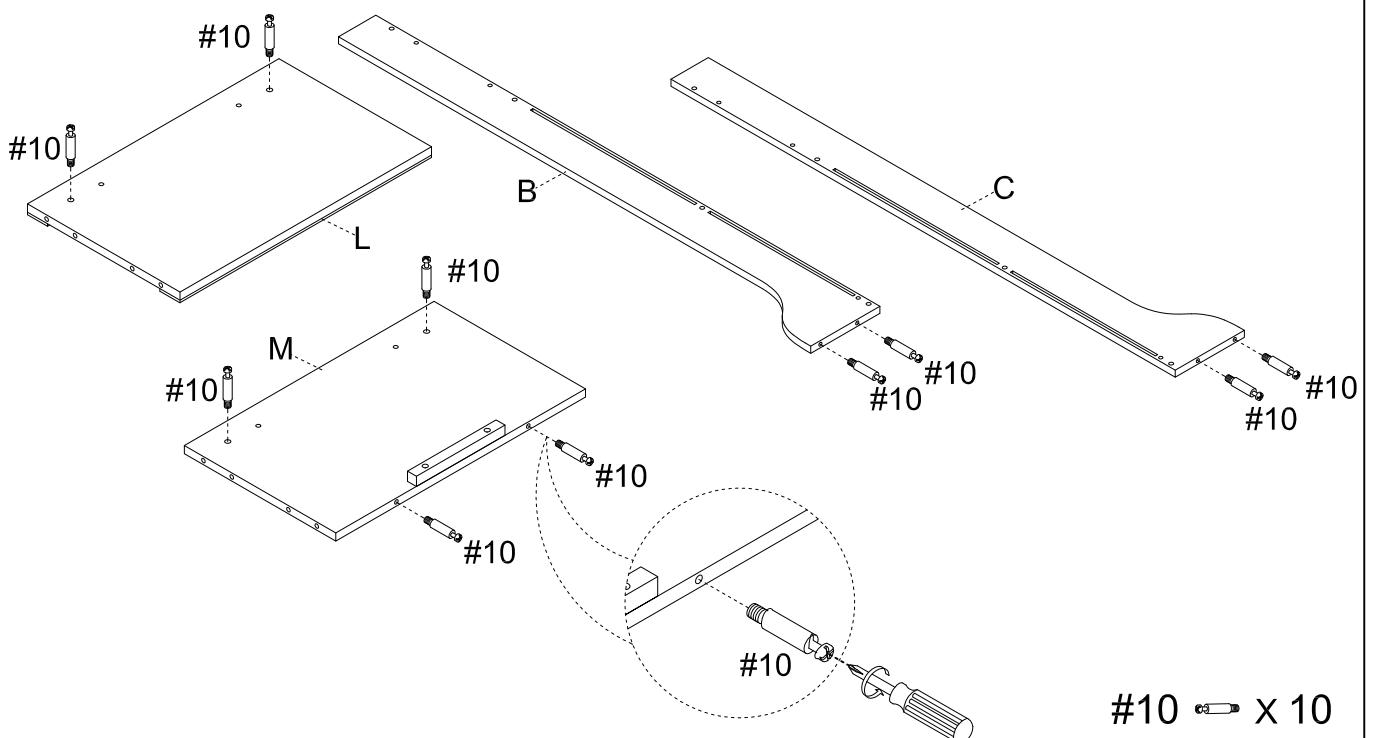
Step 1. Attach hooks (part #12) to upper back panel (part D) using screws (part #3) and phillips head screwdriver.



#3  X 6  
#12  X 3

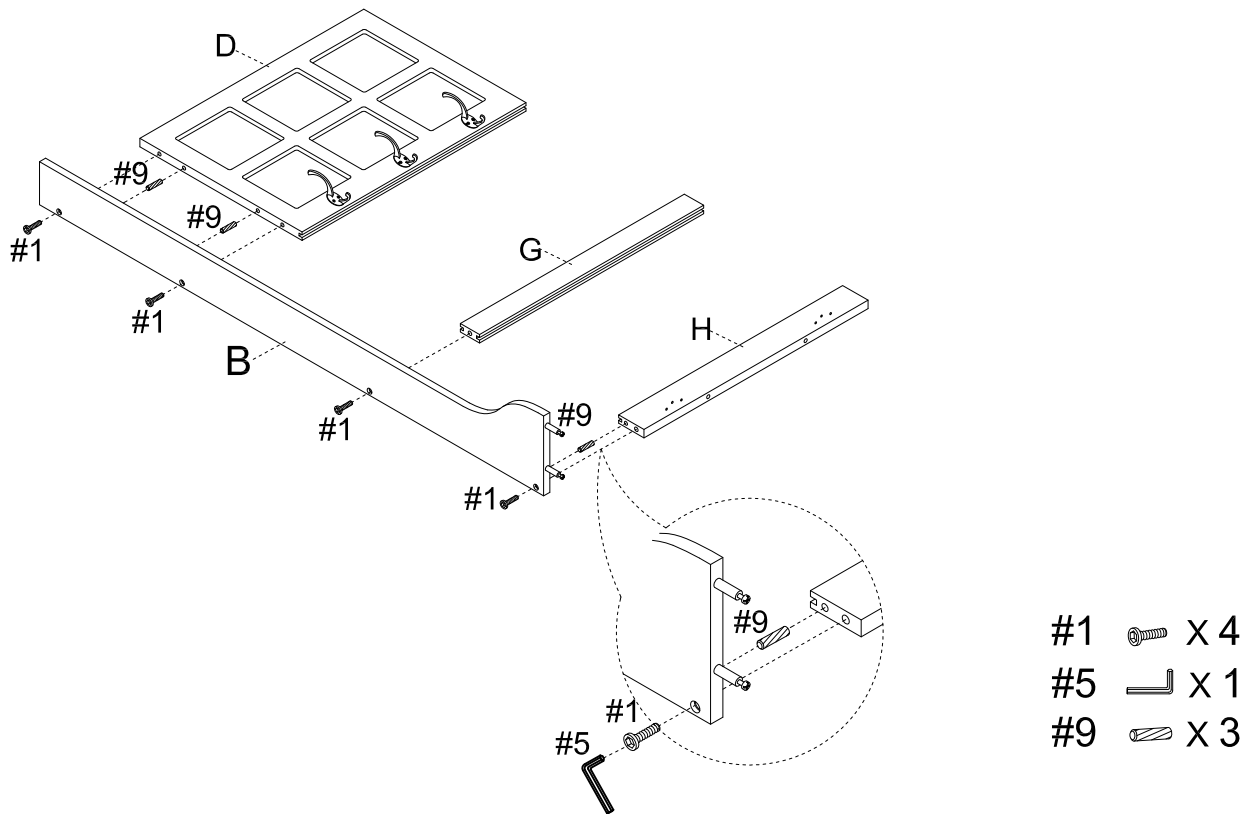
Step 2. Attach cam bolts (part #10) to upper left panel (part B), upper right panel (part C), front panel (part L) and back panel (part M) using phillips head screwdriver.

NOTE: Do not overtighten cam bolts. Stop tightening once threads on cam bolt are no longer visible.

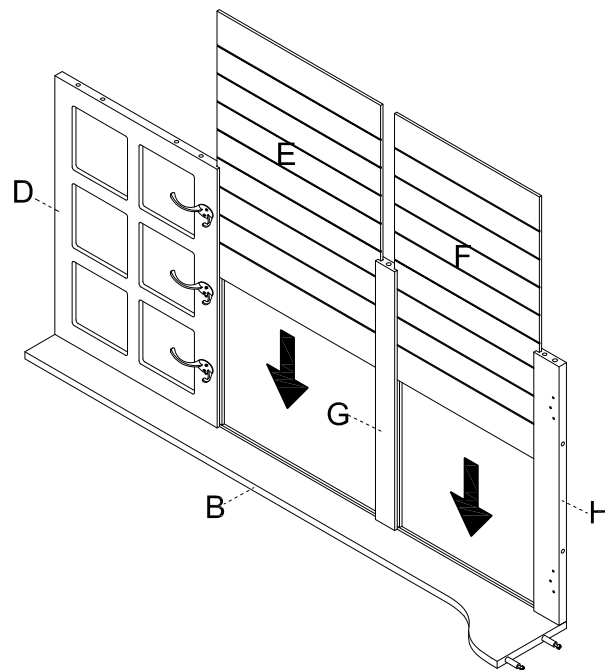


#10  X 10

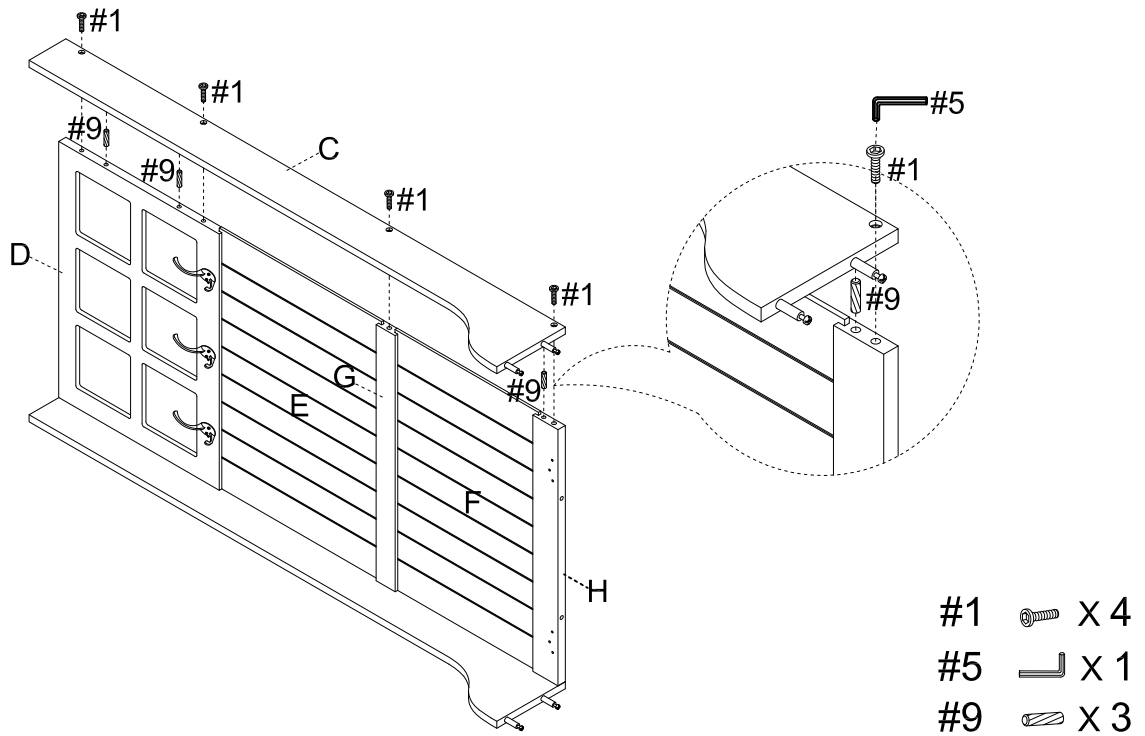
Step 3. Attach upper back panel (part D), middle back rail (part G) and lower back rail (part H) to upper left panel (part B) using wood dowels (part #9), short bolts (part #1) and allen wrench (part #5).



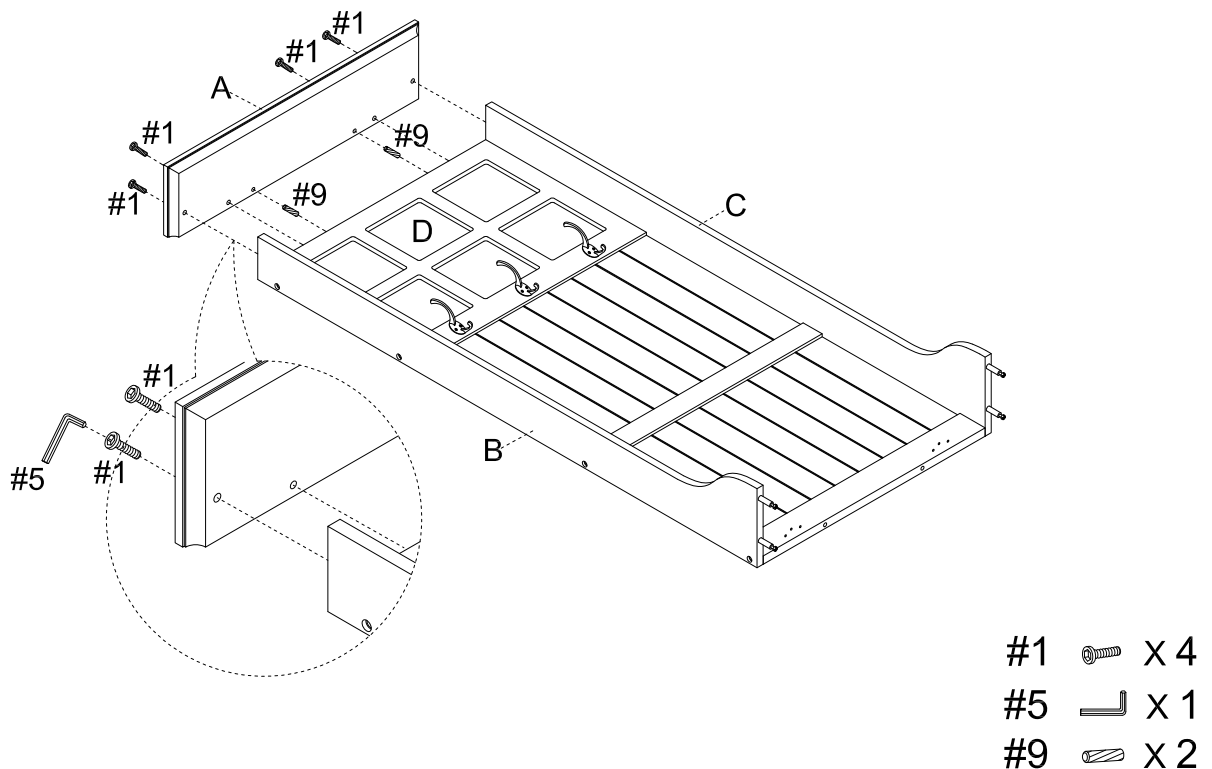
Step 4. Slide back panels (parts E & F) into the grooves of assembled unit (parts B, D, G & H).



Step 5. Attach upper right panel (part C) to assembled unit (parts D, G & H) using wood dowels (part #9), short bolts (part #1) and allen wrench (part #5).

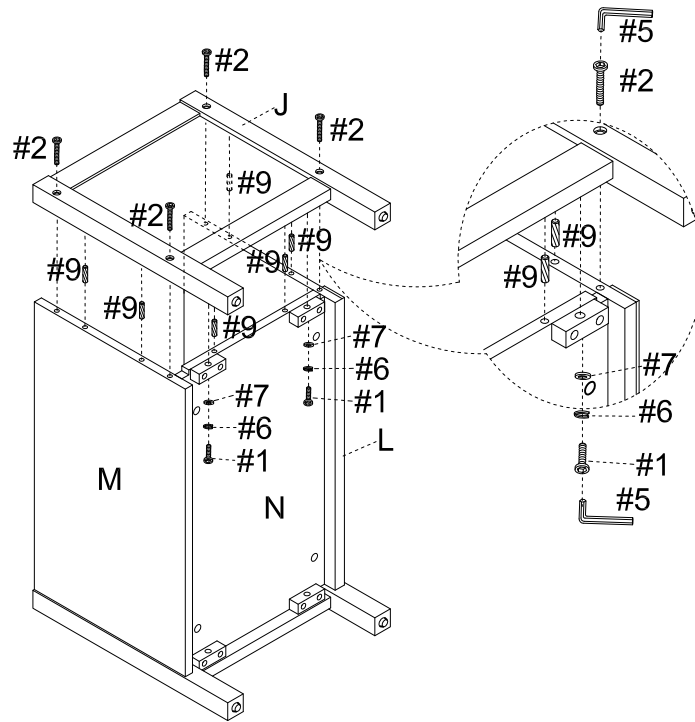








Step 6. Attach top panel (part A) to assembled unit (parts B, C & D) using wood dowels (part #9), short bolts (part #1) and allen wrench (part #5).





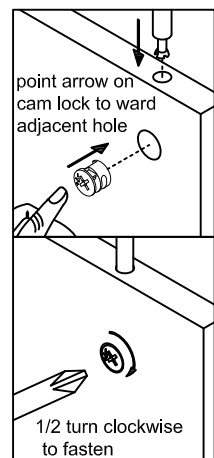
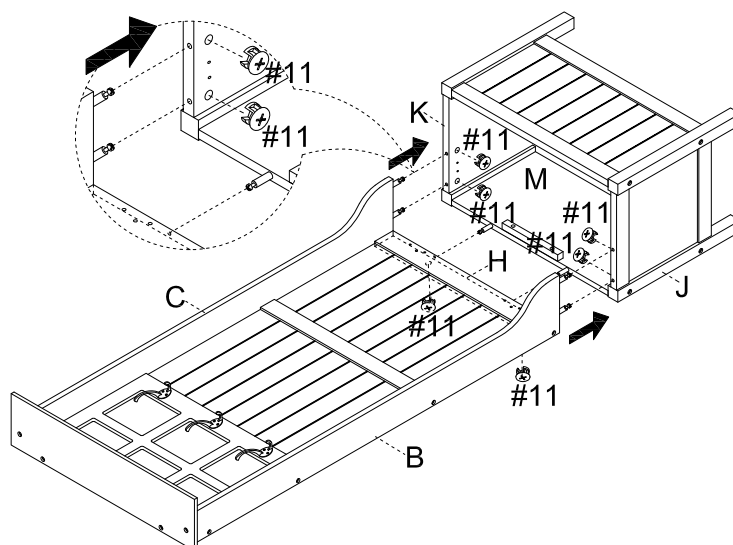
Step 9. Attach lower left panel (part J) to assembled unit (parts L, M & N) using wood dowels (part #9), short bolt (part #1), long bolt (part #2), spring washers (part #6), flat washers (part #7) and allen wrench (part #5).



- #1  x 2
- #2  x 4
- #5  x 1
- #6  x 2
- #7  x 2
- #9  x 6

Step 10. Lay assembled unit (parts B, C & H) on floor. Attach assembled unit (parts K, J & M) to assembled unit (parts B, C & H) using cam locks (part #11) and phillips head screwdriver.

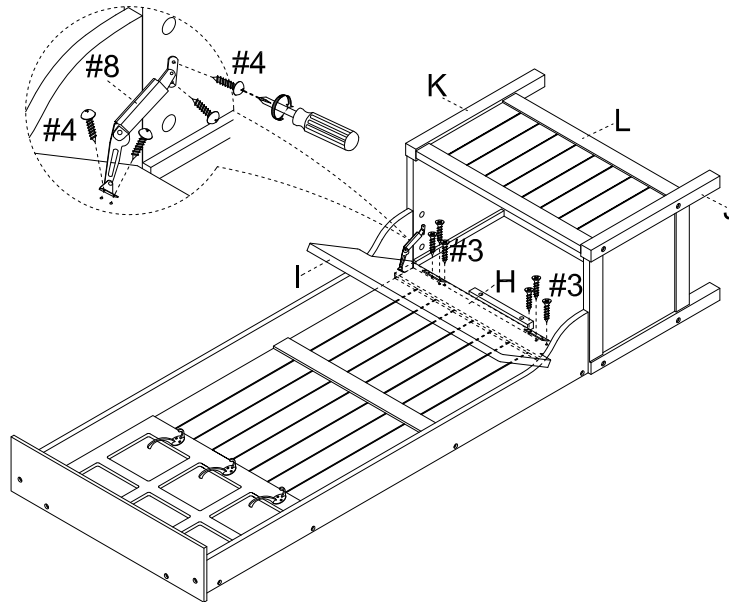
Note: Cam locks must rotate full 180°. See pictured insert.






- #11  x 6



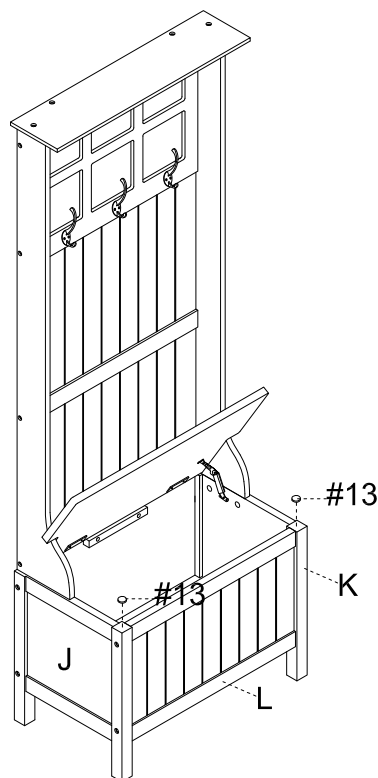
Step 11. Attach seat panel (part I) to lower back rail (part H) using screws (part #3) and phillips head screwdriver. Attach spring hinge (part #8) to seat panel (part I) and lower right panel (part K) using round head screws (part #4) and phillips head screwdriver.









- #3  X 6
- #4  X 4
- #8  X 1

Step 12. Carefull turn the unit upright.

Attach pads (part #13) to the top edge of lower panels (parts J & K).  
**Important:** Safety strap kit (part #14) must be installed to prevent tipping, damage and/or injury.



- #13  X 2

#14	A	B	C	D	E
					
Safety Strap Kit 1 SET	Wall Anchor 1 PC	Bracket 2 PCS	5/8"x φ3xD8 Short Screw 1 PC	1-1/2"x φ4xD8 Long Screw 1 PC	Safety Wall Strap 1 PC

## SAFETY WALL STRAP INSTALLATION

Note: It is highly recommended to install this safety strap kit to prevent tipping, damage and/or injury.

1. Insert short screw (C) and safety wall strap (E) through bracket (B) and attach to top panel (part A) using phillips head screwdriver.
2. Drill a 11/32" hole where you want to secure the unit. The drilled hole will be at the same height as the hole in top panel (part A) where bracket (B) is attached. Tap wall anchor (A) into the hole.
3. Insert long screw (D) and safety wall strap (E) through bracket (B) into wall anchor (A) using phillips head screwdriver.

Note: This item is not intended for clothing storage use.

